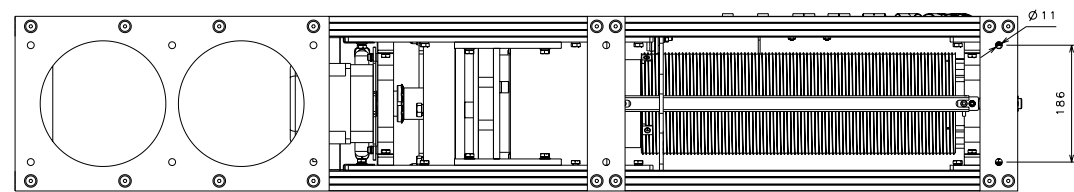
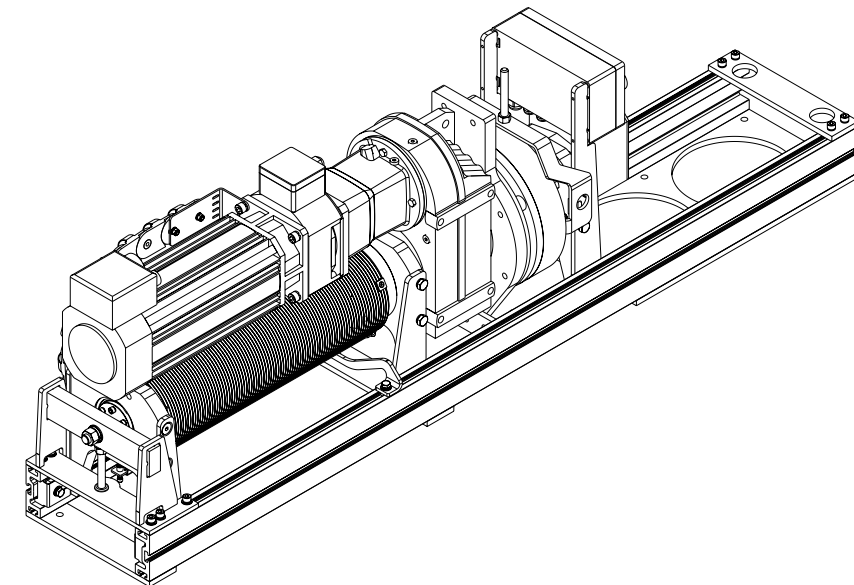
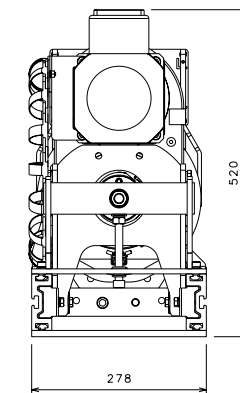


Optional Cable Management



A	JHu	PML	19/04/05	FIRST ISSUE
REV	DRWN	CHKD	DATE	DESCRIPTION
ALL DIMENSIONS IN mm UNLESS STATED OTHERWISE				THIS DRAWING AND THE INFORMATION CONTAINED HEREIN IS CONFIDENTIAL AND THE PROPERTY OF STAGE TECHNOLOGIES LTD AND MUST NOT BE COPIED OR DISCLOSED TO ANY THIRD PARTY WITHOUT PRIOR WRITTEN CONSENT.
COPYRIGHT RESERVED BY STAGE TECHNOLOGIES		THIRD ANGLE PROJECTION	MEDIA A1	SCALE 1:6
DATE	MODEL	DRAWN	CHECKED	
19/04/05	JHu	JHu	PML	
PROJECT Generic Drawing				
DESCRIPTION BT2-290 WINCH TYPICAL ARRANGEMENT				
CLIENT DRAWING NUMBER			DRAWING NUMBER	SHEET
---			BT2-2009	1/1

STAGE TECHNOLOGIES

BERKEEN LODGE, 22 HIGHBURY GROVE, LONDON N5 2DQ, ENGLAND
 TEL: +44 (0)20 7354 8800
 FAX: +44 (0)20 7359 1750
 WEBSITE: www.stage-tech.com
 E-MAIL: info@stage-tech.com