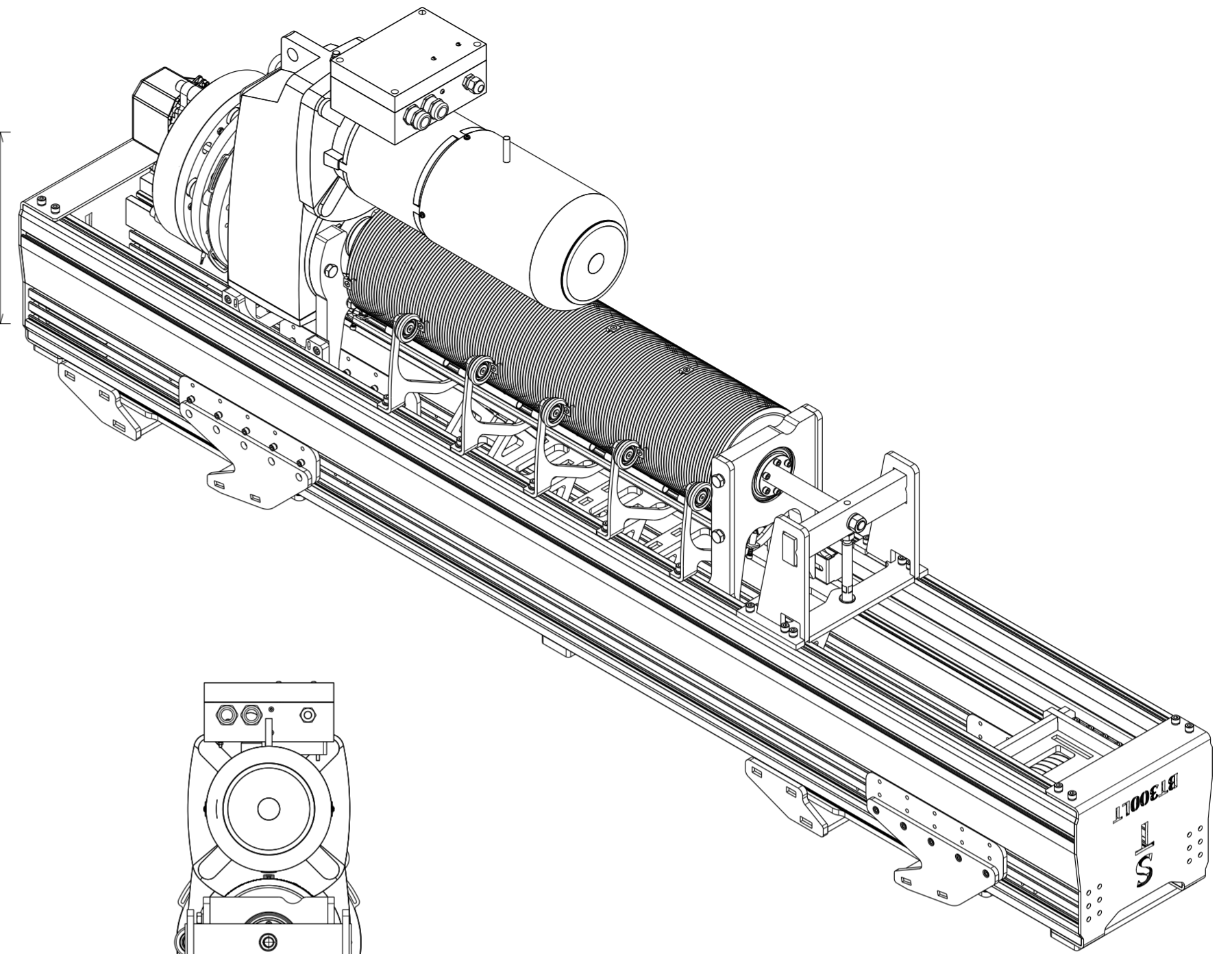
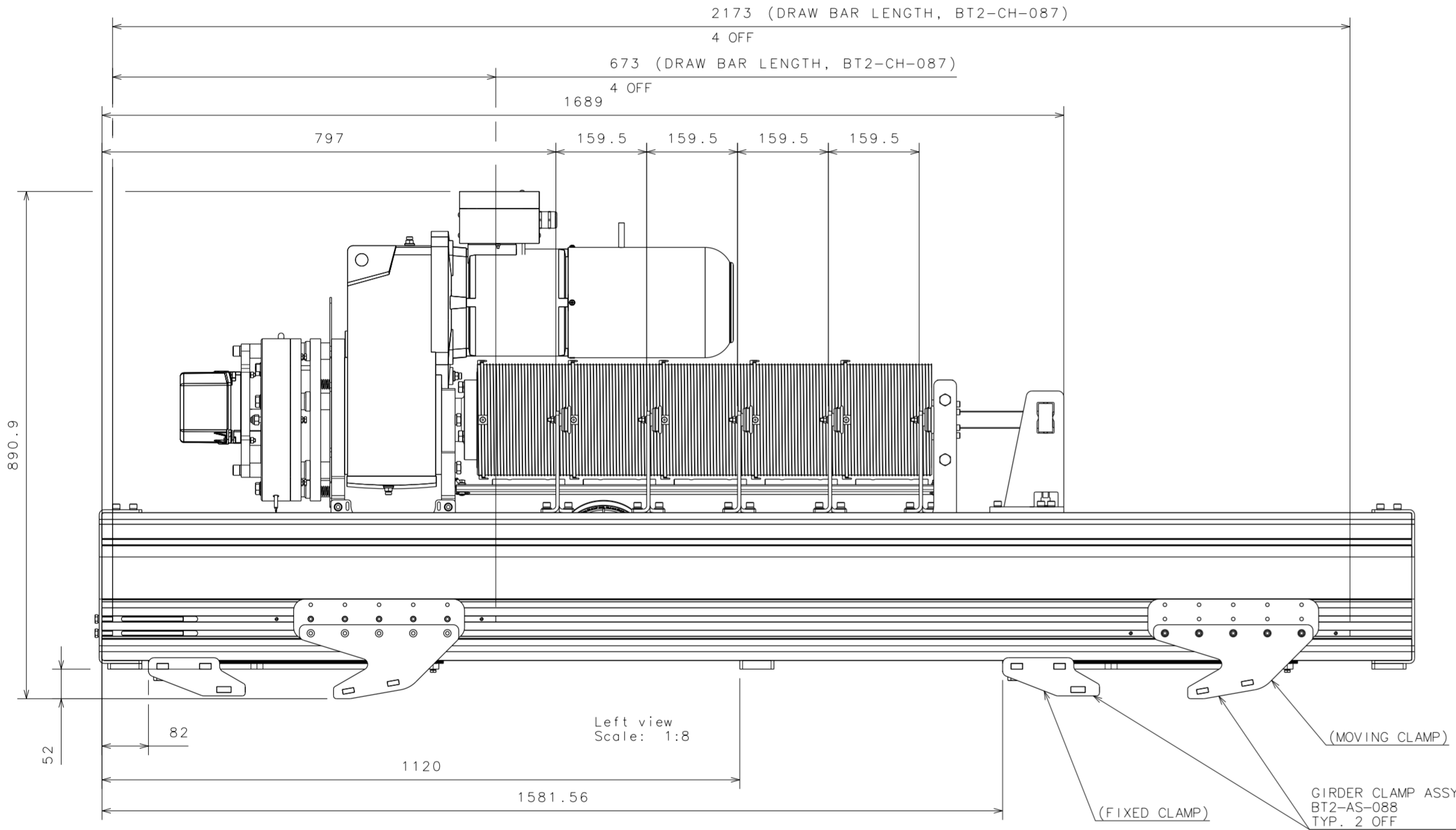


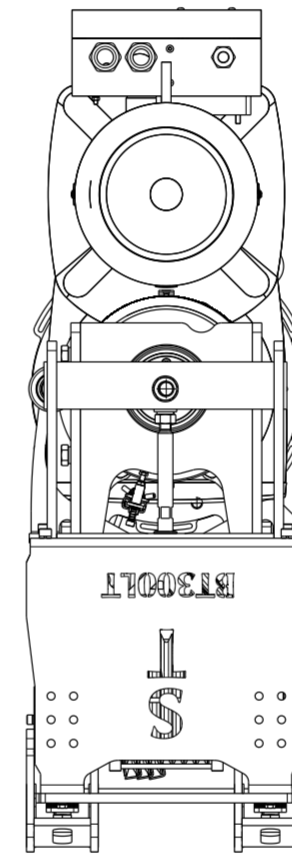
Auxiliary view C
Scale: 1:8



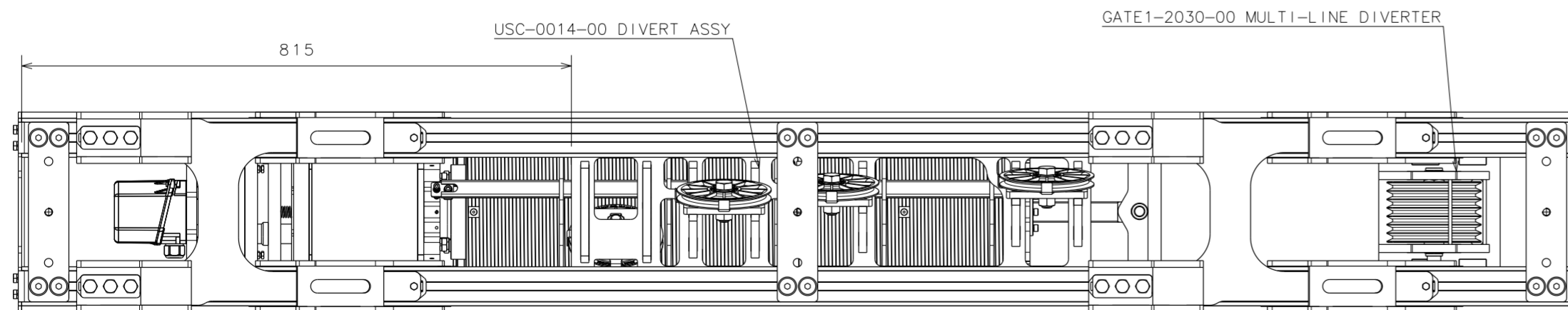
Isometric view
Scale: 1:8



Left view
Scale: 1:8



Front view
Scale: 1:8



Auxiliary view B
Scale: 1:8

E	AFG	-	DD/MM/YY	ADDITIONAL DIMS ADDED
D	AFG	-	13/07/10	MULTI-LINE DIVERT INFO ADDED
C	AFG	-	28/06/10	ADDITIONAL INFO FOR WINCH GENERAL ASSY
B	AFG	-	16/06/10	INFORMATION DRAWING FOR TRADE SHOW WITH ALUMINUM GUIDE SPINES
A	AFG	-	13/04/10	FIRST ISSUE
REV	DRWN	CHKD	DATE	DESCRIPTION

ALL DIMENSIONS IN mm UNLESS STATED OTHERWISE

COPYRIGHT RESERVED
BY STAGE TECHNOLOGIES

THIS DRAWING AND THE INFORMATION CONTAINED HEREIN IS CONFIDENTIAL
AND THE PROPERTY OF STAGE TECHNOLOGIES LTD AND MUST NOT BE COPIED
OR DISCLOSED TO ANY THIRD PARTY WITHOUT PRIOR WRITTEN CONSENT.

	THIRD ANGLE PROJECTION	MEDIA A2	SCALE AS SHOWN
	DATE 13/04/10	MODEL AFG	CHECKED AFG

**STAGE
TECHNOLOGIES**

PROJECT
DEV-MHW-002
DESCRIPTION
300LT WINCHES
TEST WINCH

9 FALCON PARK
NEASDEN LANE
LONDON NW10 1RZ
ENGLAND
TEL: +44 (0)20 8208 6000
FAX: +44 (0)20 8208 6006
WEBSITE: www.stage-tech.com
E-MAIL: automation@stage-tech.com

CLIENT DRAWING NUMBER	DRAWING NUMBER BT2-TR-0103	SHEET 1/1
-----------------------	-------------------------------	--------------